

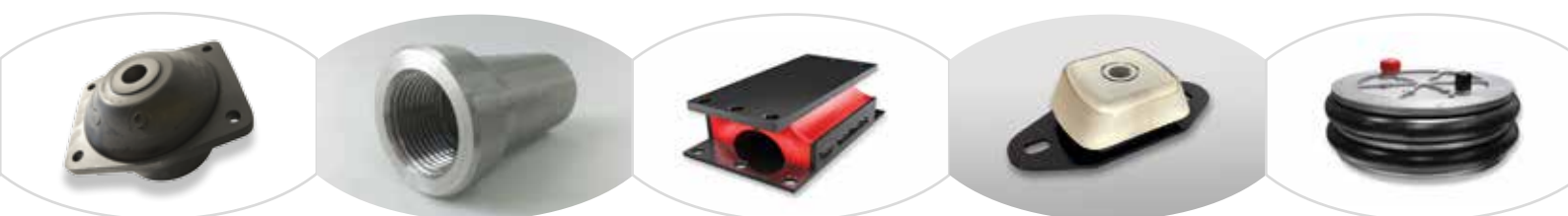


Anti vibration and Shock solutions • Suspension systems
• Heat exchangers • Assembly • Machining



A perfect combination

Technical advice, short delivery time
Optimal service and quality





Anti vibration, shock and suspension components

- Complete range of anti vibration and shock mountings and products for suspension systems for vehicles.
- Knowledge of products and applications.
- Calculations and recommendations incl. 6 degree of freedom calculations and vibration measurements on location.
- Products available from stock and possibilities for customisation



VEHICLES TECHNOLOGY



MARINE APPLICATIONS

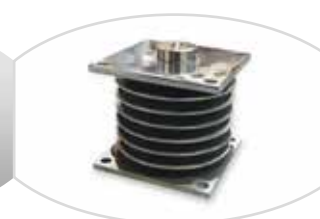
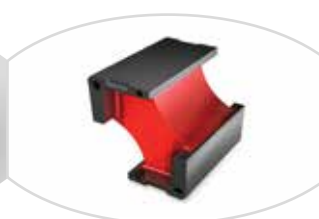


RAIL VEHICLES APPLICATIONS



ENERGY AND GENERAL INDUSTRY

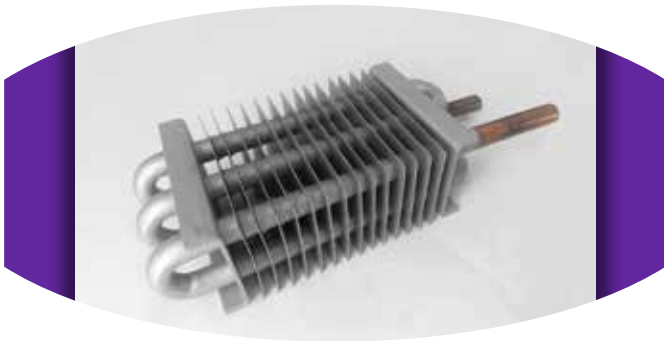
Flexico: official distributor for Trelleborg Industrial AVS for Europe and the Middle East.
Certification Trelleborg Anti Vibration products: ISO 9001, DNV-GL and Lloyds.





Machining, assembly and premium quality heat exchangers

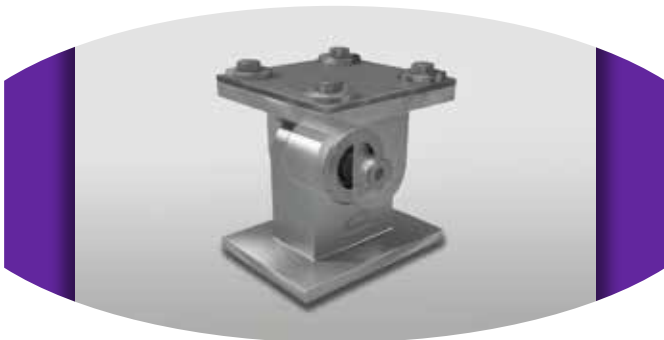
- Products are produced based on customer drawings and specifications.
- A large variety of materials can be machined including castings.
- A coating can be applied to customer specification in our own spray booth.
- Assembly of products



CUSTOM MADE HEAT EXCHANGERS



MACHINING OF VARIOUS MATERIALS



PRODUCTION AND ASSEMBLY



CUSTOM MADE CONTROL LINKS

For more information please contact our Sales department. You can find our contact information on the back of this folder.



Technical advice, short delivery time
Optimal service and quality



Flexico Technische Handelonderneming B.V.

Achterzeedijk 57- Unit 8
2992 SB Barendrecht - The Netherlands
T +31 (0)180 624 589
F +31 (0)180 690 758
E sales@flexico.nl
I www.flexico.nl



Borst Engineering B.V.

Achterzeedijk 57- Unit 6
2992 SB Barendrecht - The Netherlands
T +31 (0)180 690 155
F +31 (0)180 621 064
E info@borstengineering.nl
I www.borstengineering.nl

